

Suspended Scales

Mechanical



- ◆ Robust
- ◆ Accurate
- ◆ Reliable
- ◆ Portable
- ◆ Dual markings available for metric and avoirdupois
- ◆ Low cost
- ◆ Easy to read
- ◆ Corrosion resistant
- ◆ Capacities from 11 lbs (5 kg) to 660 lbs (300 kg)

VALUE IN
WEIGHING



Suspended Scales

Model 235 6S

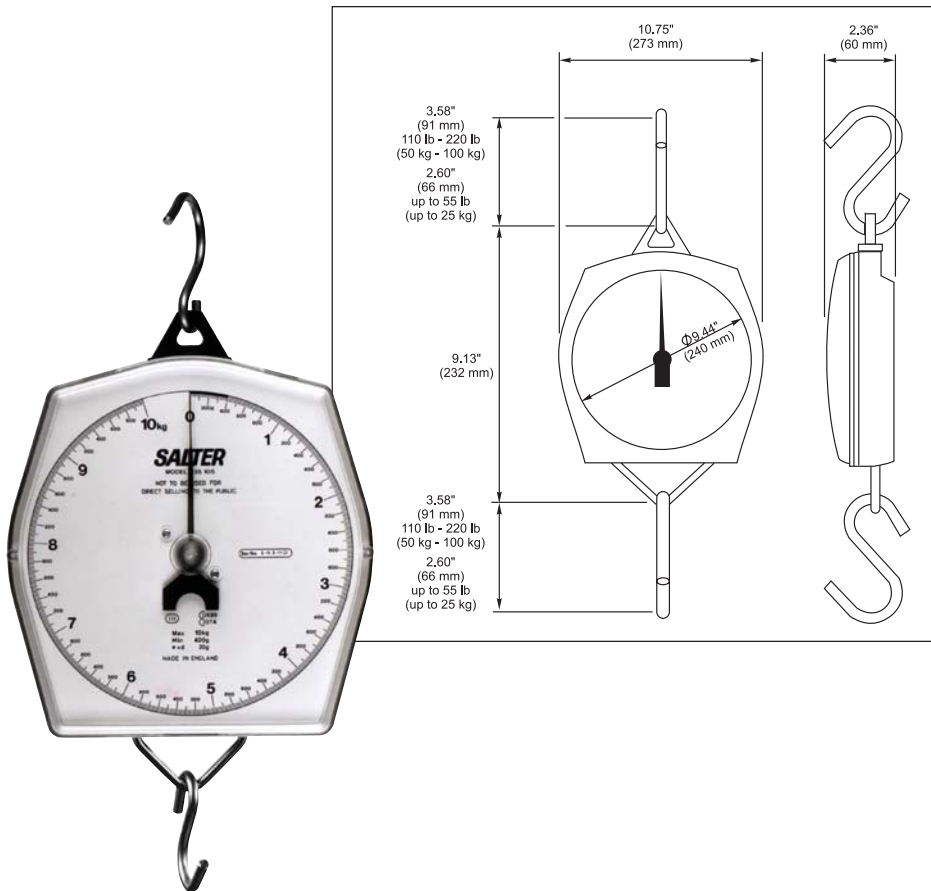
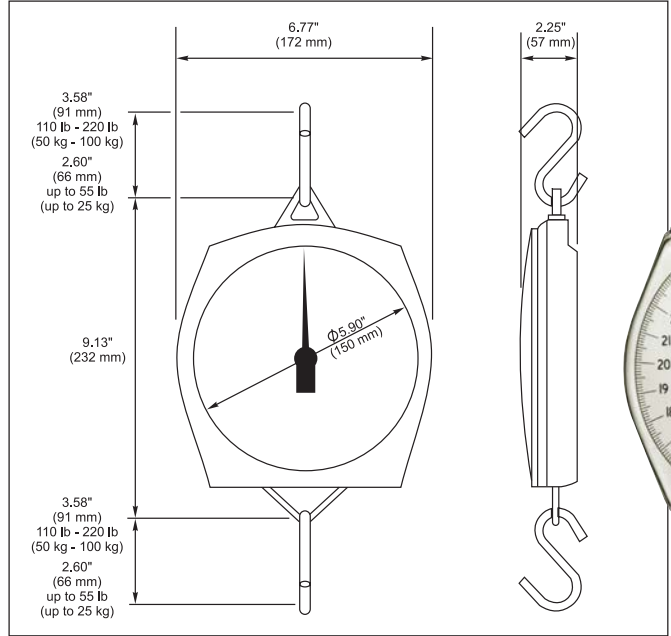
Compact, robust and corrosion resistant, housed in a tough ABS plastic case with shatterproof polycarbonate dial cover. Low friction acetal bearings provide positive movement to give maximum sensitivity. Accurate to one part in 250 with up to 15% zero adjust. Supplied with top and bottom hooks.

Option

- Round pan
- Galvanized scoop

Dual Marked

- 5 kg x 20 g / 11 lb x 1 oz
- 10 kg x 50 g / 22 lb x 2 oz
- 25 kg x 100 g / 56 lb x 4 oz
- 50 kg x 200 g / 110 lb x 8 oz
- 100 kg x 500 g / 220 lb x 1 lb



Model 235 10S

Robust and corrosion resistant, housed in a tough ABS plastic case with shatterproof polycarbonate dial cover. Low friction bearings provide positive movement to give maximum sensitivity. Accurate to one part in 500 with up to 15% zero adjust. Supplied with top and bottom hooks.

Option

- Round pan
- Galvanized scoop

Dual Marked

- 5 kg x 10 g / 11 lb x 1/2 oz
- 10 kg x 20 g / 22 lb x 1 oz
- 25 kg x 50 g / 56 lb x 2 oz
- 50 kg x 100 g / 110 lb x 4 oz
- 100 kg x 200 g / 220 lb x 8 oz

Model 235 6M

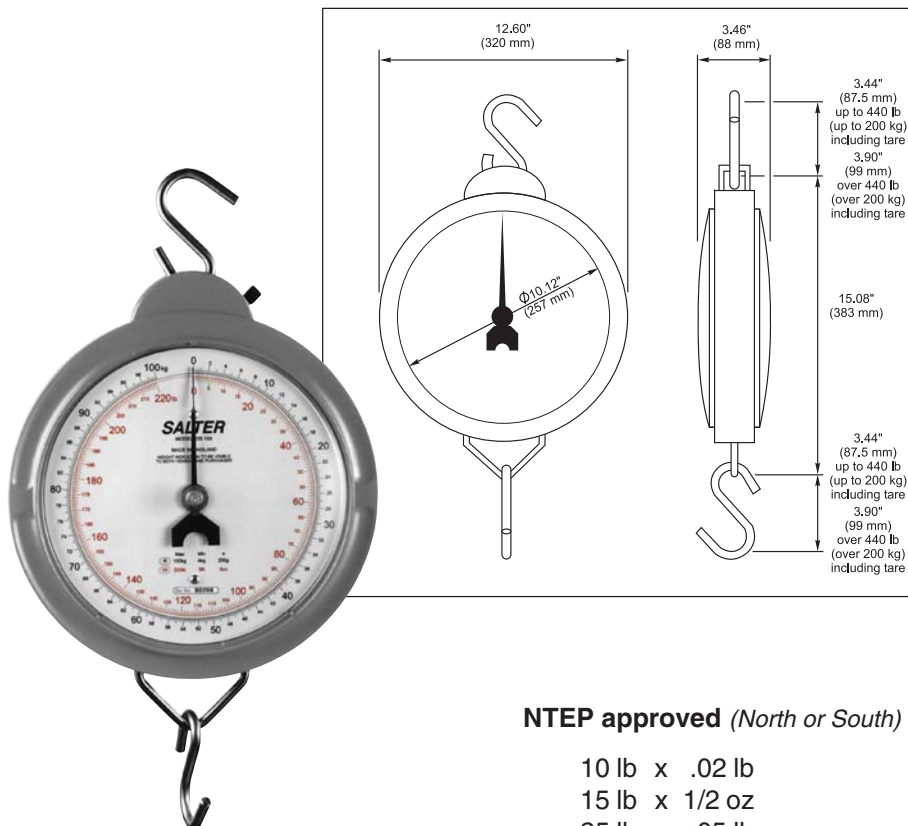
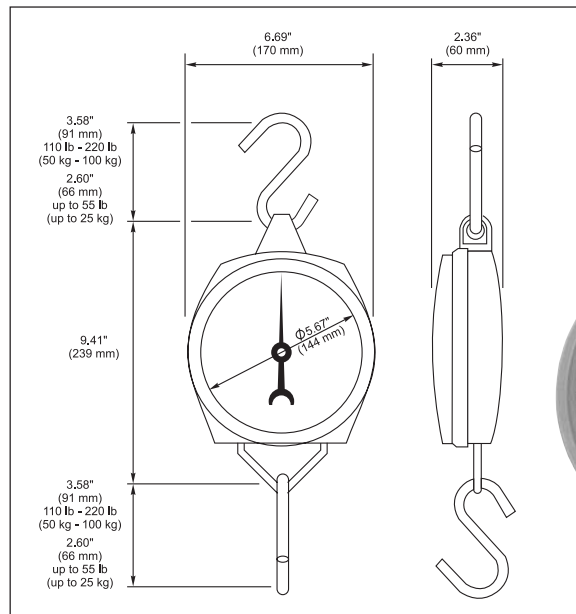
Compact, robust, housed in the traditional metal case. Accurate to one part in 250 with up to 15% zero adjustment. Supplied with top and bottom hooks.

Option

*Round pan
Galvanized scoop*

Dual Marked

- 5 kg x 20 g / 11 lb x 1 oz
- 10 kg x 50 g / 22 lb x 2 oz
- 25 kg x 100 g / 56 lb x 4 oz
- 50 kg x 200 g / 110 lb x 8 oz
- 100 kg x 500 g / 220 lb x 1 lb



Model 235 10x (NTEP & Non-NTEP)

Heavy duty suspended scale, NTEP approved up to 100 lbs. Easy to read dial housed in a robust die cast casing. Low friction bearings provides positive movement to give maximum sensitivity. Accurate to one part in 500. Supplied with top and bottom hooks as standard.

Option

*Double lipped scoop
Round pan
Galvanized scoop*

Non-NTEP approved

- 100 kg x 200 g / 220 lb x 8 oz
- 200 kg x 500 g / 440 lb x 1 lb
- 300 kg x 1 kg / 660 lb x 2 lb

NTEP approved (North or South)

- 10 lb x .02 lb
- 15 lb x 1/2 oz
- 25 lb x .05 lb
- 30 lb x 1.0 oz
- 50 lb x 0.1 lb
- 100 lb x 0.2 lb

Galvanized scoop (16½" x 14" x 6" deep)

Can be supplied with 235-10X or 235-10S, up to 56 lb/25 kg capacity.



Double lipped stainless steel scoop

Can be supplied with 235-10X or 235-10S.

Round stainless steel pan, 12 in (305 mm diameter)

Can be supplied for retrofitting to the 235-6S, 235-6M, 235-10S, 235-10X, up to 56/25 kg capacity



Proudly Sold & Serviced By:

Able Scale Co Pty Ltd

Ph: 1300 731 360

21 Green St Thomastown VIC. 3074